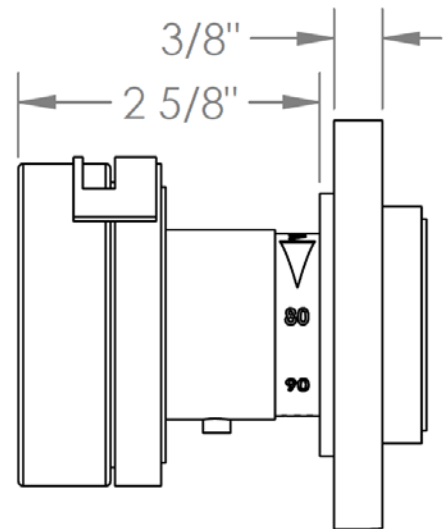
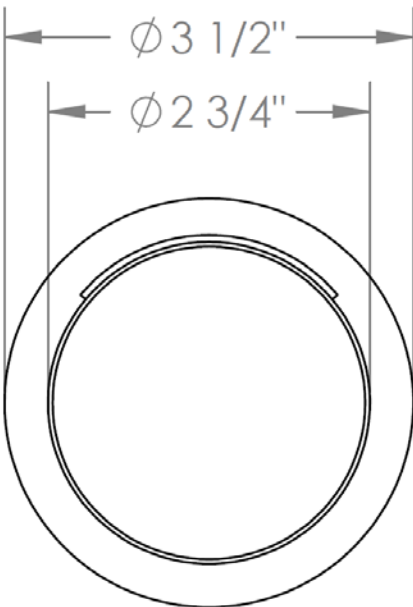
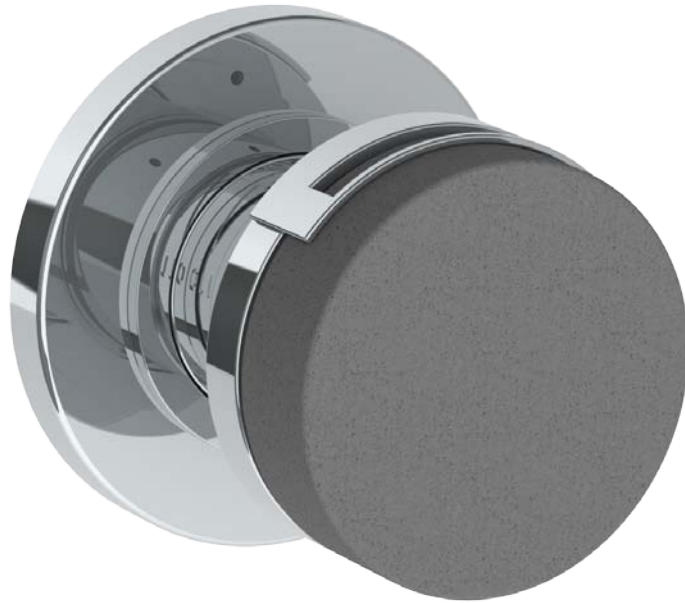


21-T15-E1

Trim Kit for Thermostatic Valve

Requires SS-TH500 Thermostatic Valve



Meets the applicable requirements of ASME A112.18.1-2005/CSA B125.1-05, entitled "Plumbing Supply Fittings"

21-T15-E2

Trim Kit Only for Miniature Thermostatic Valve
For use with SS-TH500 mini concealed rough

